



Cat. No. 0567DP0CHR Tubular Latch Set  
Cat. No. 0567000CHR Tubular Latch Set

### MOUNTING INSTRUCTIONS

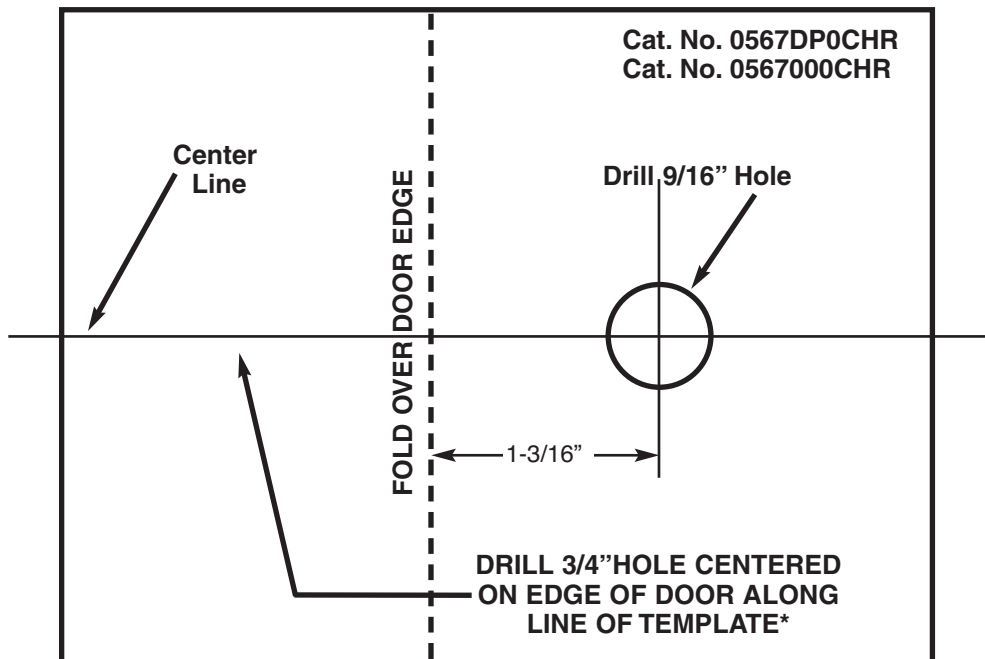
This tubular latch set is designed to be mounted in doors 1 inch to 1-3/8 inches thick.

- 1). Cut out the template below.
- 2). Fold and tape on door at desired height.
- 3). Mark and drill as shown on template. Note that the 3/4" hole is a tight fit into wood, so a 25/32" clearance hole should be drilled for harder materials.
- 4). Insert tubular body into door edge. Note position of stem hole. (See exploded view).
- 5). Align and mount escutcheon plates.
- 6). Insert handle and stem. Screw on knob and fasten set screw.
- 7). Mount strike on door frame.

3/05  
0567INS1

PERKO, INC.  
16490 N.W. 13th Avenue  
Miami, FL 33169-5707

### MOUNTING TEMPLATE



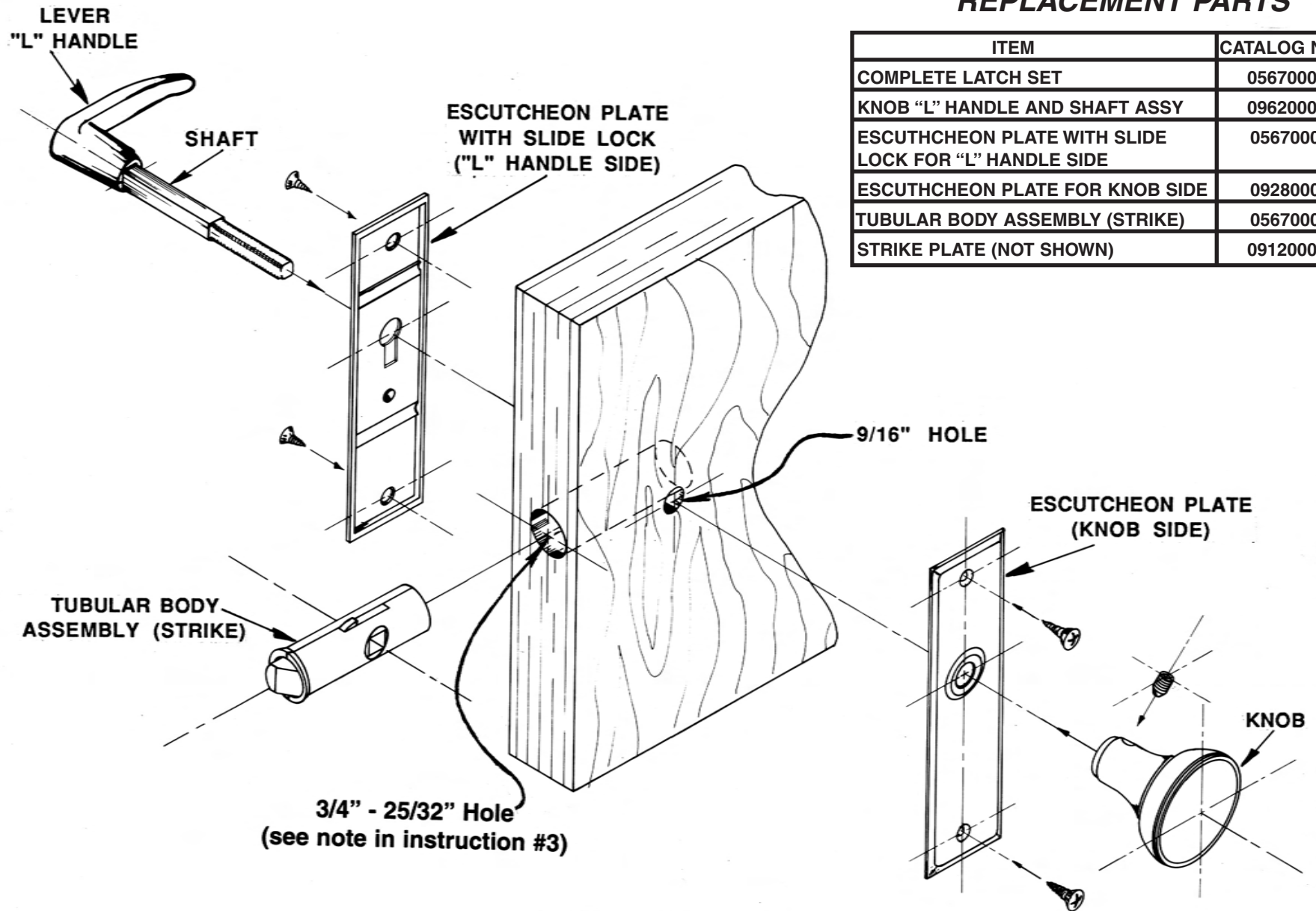
\*See Note in instruction #3.

(SEE OVER)

**EXPLODED VIEW**  
**CAT. NO. 0567DP0CHR & CAT. NO. 0567000CHR**

**REPLACEMENT PARTS**

| ITEM                                                 | CATALOG NUMBER |
|------------------------------------------------------|----------------|
| COMPLETE LATCH SET                                   | 0567000CHR     |
| KNOB "L" HANDLE AND SHAFT ASSY                       | 0962000CHR     |
| ESCUTCHEON PLATE WITH SLIDE LOCK FOR "L" HANDLE SIDE | 056700088A     |
| ESCUTCHEON PLATE FOR KNOB SIDE                       | 092800088A     |
| TUBULAR BODY ASSEMBLY (STRIKE)                       | 056700088C     |
| STRIKE PLATE (NOT SHOWN)                             | 0912000CHR     |



**ALL MOUNTING SCREWS  
 ARE #6 SIZE  
 (NOT SUPPLIED)**